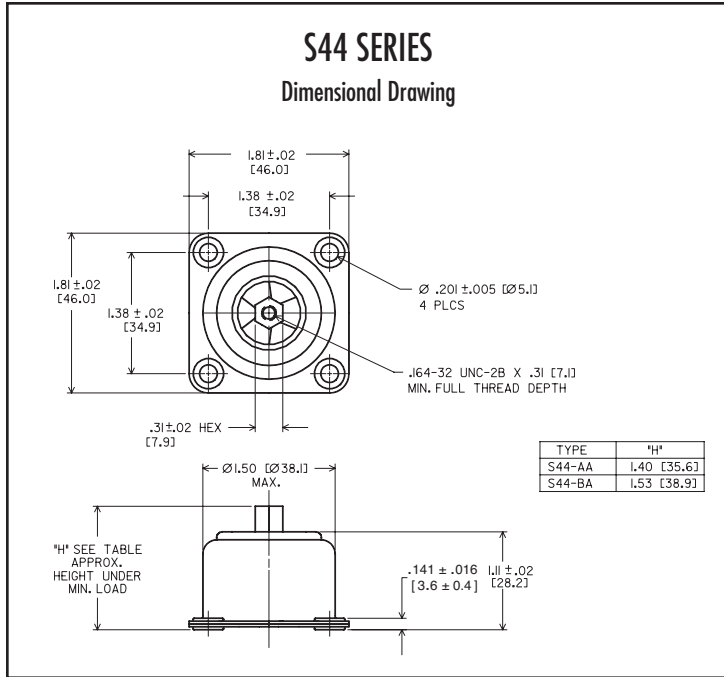
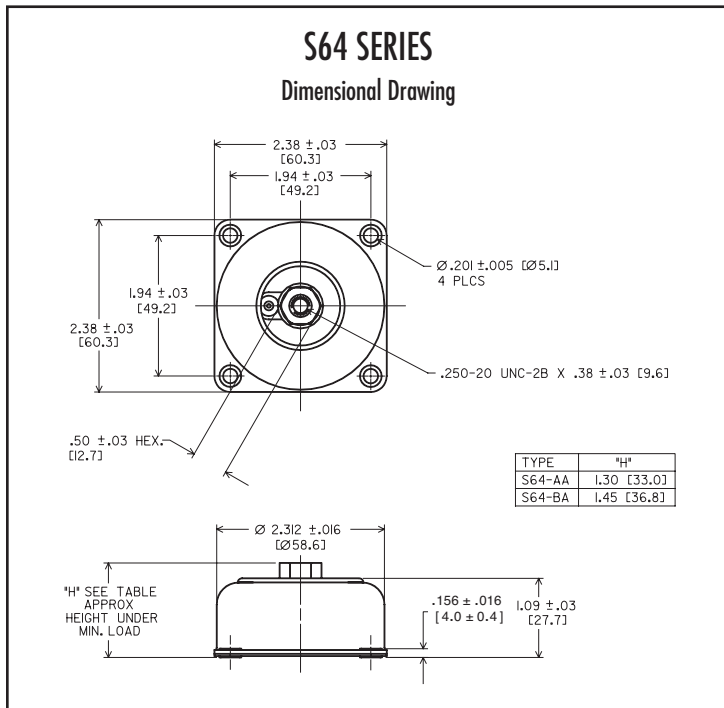


S-MOUNT SERIES: S44/S64

Dimensions & Load Range Data



S44 LOAD RANGES	
Part #	Static Load Range / Isolator (lbs.)
S44-AA-0.5 & BA-0.5	0.25-0.5
S44-AA-1.0 & BA-1.0	0.5-1.0
S44-AA-3.0 & BA-3.0	1.5-3.0
S44-AA-4.5 & BA-4.5	2.5-4.5
S44-AA-7.0 & BA-7.0	4.0-7.0
S44-AA-9.0 & BA-9.0	6.5-9.0



S64 LOAD RANGES	
Part #	Static Load Range / Isolator (lbs.)
S64-AA-4.5 & BA-4.5	3.0-4.5
S64-AA-6.0 & BA-6.0	3.5-6.0
S64-AA-10.0 & BA-10.0	6.0-10.0
S64-AA-12.5 & BA-12.5	9.5-12.5
S64-AA-20.0 & BA-20.0	12.5-20.0
S64-AA-25.0 & BA-25.0	19.0-25.0
S64-AA-35.0 & BA-35.0	25.0-35.0