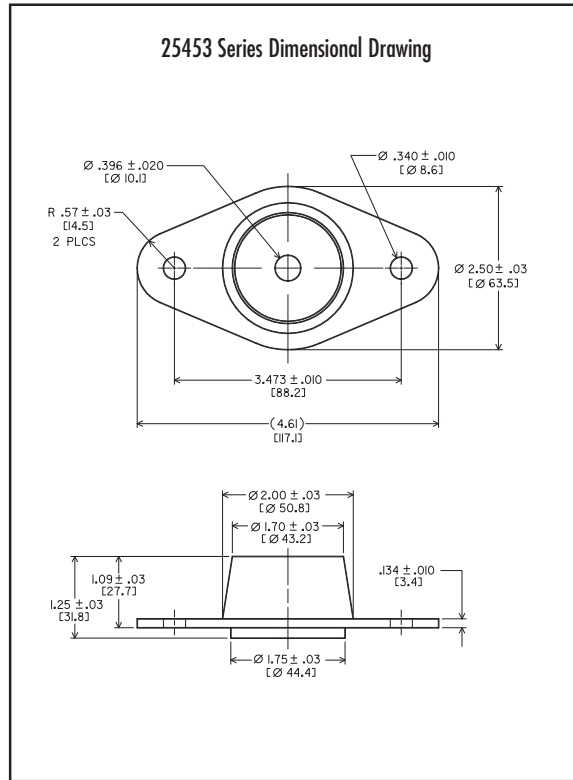


HR MOUNT SERIES: 25453

Dimensions & Performance Characteristics



AXIAL STATIC LOAD RANGE - 25453

Code	Nominal	Color Code
-1	50 lbs.	Red
-3	90 lbs.	White
-5	150 lbs.	Blue
-7	215 lbs.	Purple
-9	300 lbs.	Gray

